

Tregaskiss™ by DINSE™ CWD

Robotic Water-Cooled MIG Gun

Issued May 2019 • Index No. CWD/1.2

MIG (GMAW) Welding 

Quick Specs

Duty Cycle Rating
100% with Mixed Gases
350 amp, 400 amp
500 amp, 600 amp

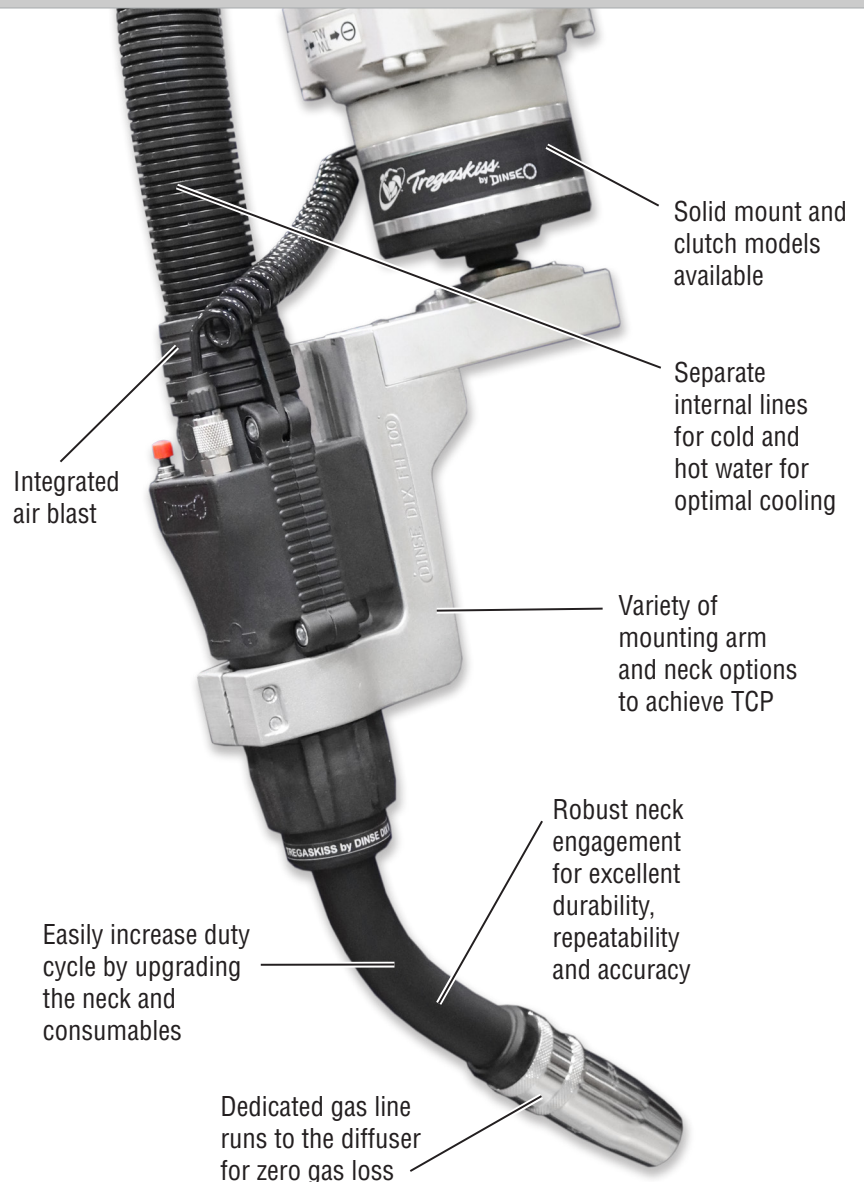
Processes
MIG (GMAW) Welding

Robots
ABB®, Cloos®, COMAU®, FANUC®,
Hitachi®, Hyundai®, Kawasaki®, KUKA®,
Manutec®, Motoman®, Mitsubishi®, OTC
Daihen®, Panasonic®, Reis®, SEF®,
Stäubli®, Yaskawa®

CWD Robotic Water-Cooled MIG Guns for conventional robots offer **superior cooling power for longer gun and consumable life** and **zero gas loss** for an unparalleled total cost of ownership. Models are available in a variety of amperages ranging from 350 to 600 amps at 100% duty cycle.

Flowing through a dedicated line from the back of the gun directly to the gas diffuser, costly **shielding gas has zero opportunity to escape**.

Superior cooling is achieved via a **unique dual circuit cooling system** that runs the length of the front end. Lower operating temperatures result in longer gun and consumable life.

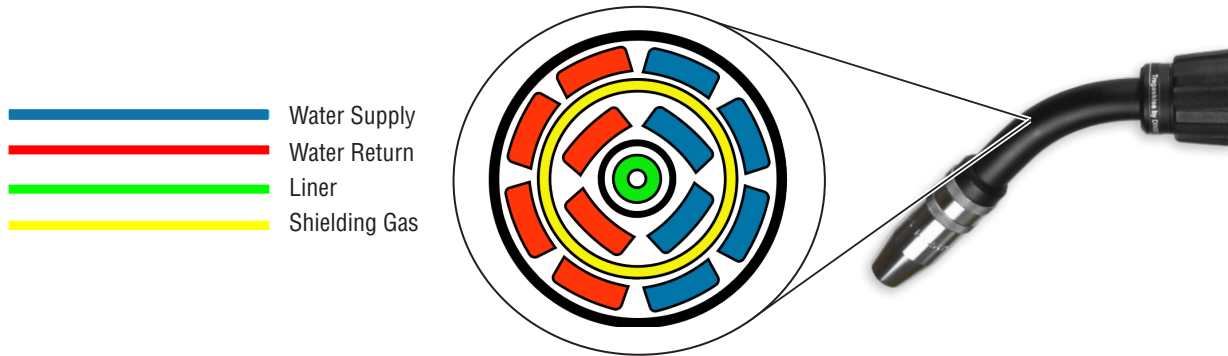


Tregaskiss
2570 North Talbot Road
Windsor, Ontario N0R 1L0
Canada

Phone: 1-855-MIGWELD (644-9353) (US & Canada)
+1-519-737-3000 (International)
Fax: 519-737-1530
For more information, visit us at Tregaskiss.com

Unique Internal Design

Tregaskiss by DINSE CWD Robotic Water-Cooled MIG Guns have a unique internal design that maximizes cooling and weld access while eliminating gas loss.



Flowing through a dedicated line from the back of the gun directly to the gas diffuser, costly shielding **gas has zero opportunity to escape.**

Superior cooling is achieved via a **dual circuit cooling system** that runs the length of the front end in concentric, parallel circuits. Cool water runs to the front while hot water returns to the back via separate internal conduits. This ensures that cold and hot water never mix which can reduce the cooling power. Lower operating temperatures result in longer gun and consumable life.

Know Your Options

What's the difference between clutch and solid mount?

A clutch mount is designed to trigger an emergency stop in the event of a robotic collision, whereas a solid mount is not equipped with this functionality. Although many of today's robots are equipped with independent collision detection software and may not require this functionality in a robotic MIG gun, this option is sometimes selected during gun configuration as an additional safeguard.

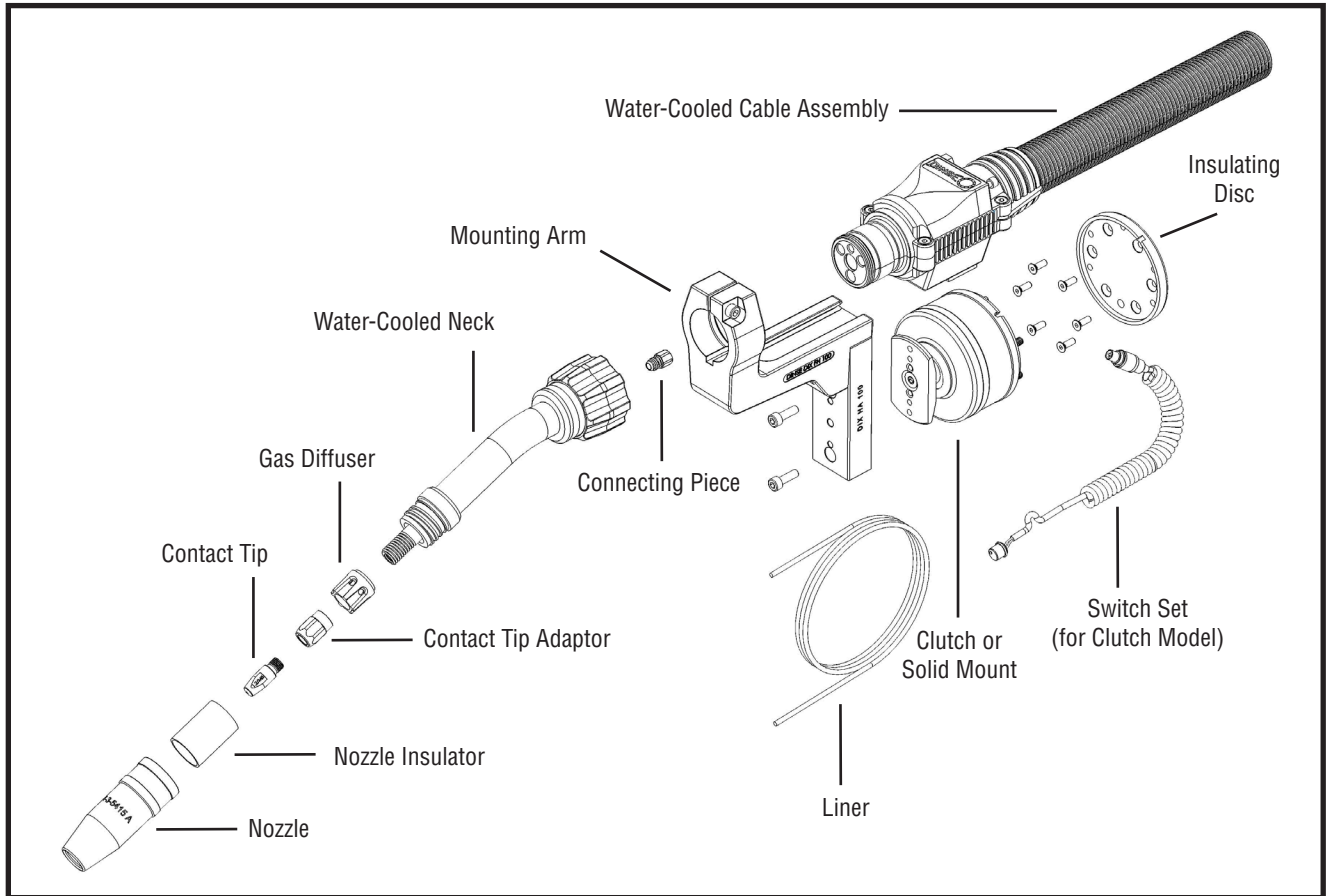
Air Blast

Air blast utilizes compressed shop air to clear loose debris from front-end consumables thereby reducing the frequency of nozzle cleaning. A maximum air supply of 80-100 psi is required for proper operation.

Wire Brake

Wire brake holds wire to a consistent stick out to allow a repeatable tool center point (TCP) for touch sensing / seam tracking while the torch articulates. Selecting the wire brake option when configuring a gun will impact TCP. A maximum air supply of 80 psi is required for proper operation. Wire brake is available for wire sizes between 0.030" and 1/16", and requires the use of a jump liner.

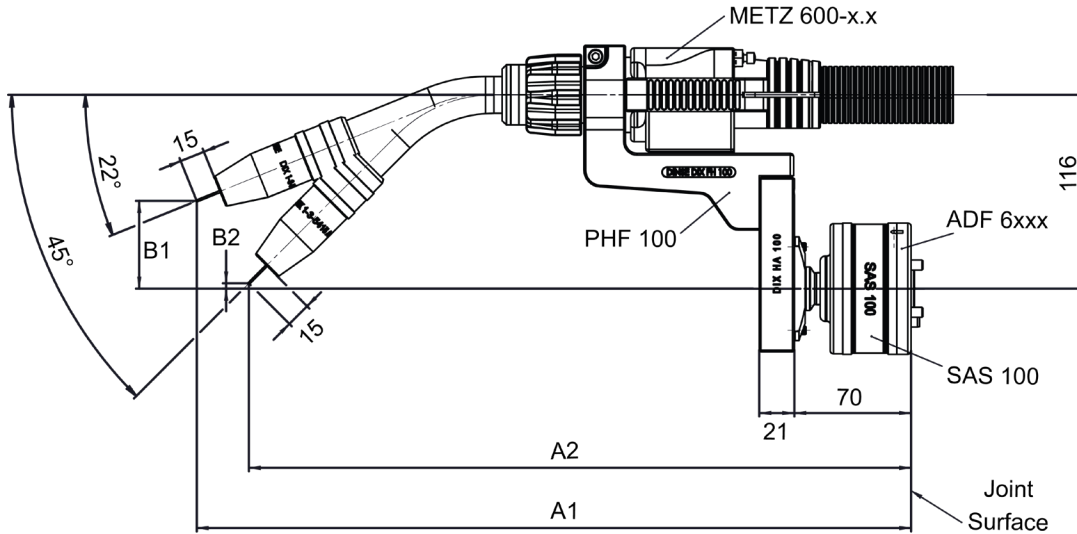
System Components



Gun Configurations

NOTE: For Center of Mass information, please visit Tregaskiss.com/CWD

Standard Configurations



Model	Neck Part Number	Neck Part Name	Angle & Length	A1	A2	B1	B2
350 amp	6390635920	6-3-592 METZ	22 degree, medium	455.1 mm	-	88.3 mm	-
350 amp	6390635903	6-3-592 L METZ	22 degree, long	525.1 mm	-	88.3 mm	-
350 amp	6390635906	6-3-592 XL METZ	22 degree, extended	605.1 mm	-	88.3 mm	-
350 amp	6390635940	6-3-594 METZ	45 degree, medium	-	437.6 mm	-	57.4 mm
350 amp	6390635904	6-3-594 L METZ	45 degree, long	-	507.6 mm	-	57.4 mm
350 amp	6390635907	6-3-594 XL METZ	45 degree, extended	-	587.6 mm	-	57.4 mm
400 amp	6390635420	6-3-542 METZ	22 degree, medium	429.0 mm	-	52.1 mm	-
400 amp	6390635403	6-3-542 L METZ	22 degree, long	499.0 mm	-	52.1 mm	-
400 amp	6390635406	6-3-542 XL METZ	22 degree, extended	579.0 mm	-	52.1 mm	-
400 amp	6390635440	6-3-544 METZ	45 degree, medium	-	396.8 mm	-	3.2 mm
400 amp	6390635404	6-3-544 L METZ	45 degree, long	-	466.8 mm	-	3.2 mm
400 amp	6390635407	6-3-544 XL METZ	45 degree, extended	-	546.8 mm	-	3.2 mm
500 amp	6390635720	6-3-572 METZ	22 degree, medium	429.0 mm	-	52.1 mm	-
500 amp	6390635703	6-3-572 L METZ	22 degree, long	499.0 mm	-	52.1 mm	-
500 amp	6390635706	6-3-572 XL METZ	22 degree, extended	579.0 mm	-	52.1 mm	-
500 amp	6390635740	6-3-574 METZ	45 degree, medium	-	397.5 mm	-	2.5 mm
500 amp	6390635704	6-3-574 L METZ	45 degree, long	-	467.5 mm	-	2.5 mm
500 amp	6390635707	6-3-574 XL METZ	45 degree, extended	-	547.5 mm	-	2.5 mm
600 amp	6390695522	6-3-5522 METZ	22 degree, medium	428.0 mm	-	52.3 mm	-
600 amp	631155002	6-3-5522 L METZ	22 degree, long	498.0 mm	-	52.3 mm	-
600 amp	631155005	6-3-5522 XL METZ	22 degree, extended	578.0 mm	-	52.3 mm	-
600 amp	6390695545	6-3-5545 METZ	45 degree, medium	-	396.8 mm	-	3.2 mm
600 amp	631155003	6-3-5545 L METZ	45 degree, long	-	466.8 mm	-	3.2 mm
600 amp	631155006	6-3-5545 XL METZ	45 degree, extended	-	546.8 mm	-	3.2 mm

Consumable Options

Nozzles - Use with 350 amp Model

Part Number	Part Name	Description	Part Number	Part Name	Description
6390159150	1-3-5915 A	15 mm (0.59") bore, flush	6390159149	1-3-5914	14 mm (0.55") bore
6390159110	1-3-5911 A	11 mm (0.43") bore, flush			

Nozzles - Use with 400 amp Model

Part Number	Part Name	Description
6390154130	1-3-5413 A	13 mm (0.51") bore, flush
6390154150	1-3-5415 A	15 mm (0.59") bore, flush
6390154180	1-3-5418 A	18 mm (0.71") bore, flush
6390154155	1-3-5415 AR	15 mm (0.59") bore, flush, reduced O.D.
6390154151	1-3-5415 AK	15 mm (0.59") bore, stick out
6390154156	1-3-5415 AKR	15 mm (0.59") bore, stick out, reduced O.D.

Nozzles - Use with 500 amp Model

Part Number	Part Name	Description	Part Number	Part Name	Description
6390157150	1-3-5715 A	15 mm (0.59") bore, flush	6390257157	1-3-5715 SAD	15 mm (0.59") bore
6390157180	1-3-5718 A	18 mm (0.71") bore, flush	6390257187	1-3-5718 SAD	18 mm (0.71") bore
6390157210	1-3-5721 A	21 mm (0.83") bore, flush	6390257217	1-3-5721 SAD	21 mm (0.83") bore
628145700	SAD 5700	Nozzle adaptor for use with 1-3-57xx SAD nozzles			

Nozzles - Use with 600 amp Model

Part Number	Part Name	Description
6390155150	1-3-5515 A	Nozzle cone: 15 mm (0.59") bore
6390155180	1-3-5518 A	Nozzle cone: 18 mm (0.71") bore
6390155210	1-3-5521 A	Nozzle cone: 21 mm (0.83") bore
6390555000	5-3-550	Nozzle Body for use with all 600 amp nozzle cones

Nozzle Insulators - Use with 400 amp and 600 amp Models

Part Number	Part Name	Description
6390250000	2-3-500	Nozzle insulator for 1-3-54xx A and AK nozzles (400 amp model) and 5-3-550 nozzle body (600 amp model)

Contact Tips M6 x 1.102" (28 mm) - Use with 350 amp Model

Part Number	Part Name	Description	Part Number	Part Name	Description
629030008	3-2-0.8	for 0.8 mm (0.030") wire	629030012	3-2-1.2	for 1.2 mm (0.045") wire
629030009	3-2-0.9	for 0.9 mm (0.035") wire	629030016	3-2-1.6	for 1.6 mm (1/16") wire
629030010	3-2-1.0	for 1.0 mm (0.039") wire			

Contact Tips M6 x 1.102" (28 mm), Chrome Zirconium - Use with 350 and 400 amp Models

Part Number	Part Name	Description	Part Number	Part Name	Description
629033008	3-2-0.8 CR-ZR	for 0.8 mm (0.030") wire	629033012	3-2-1.2 CR-ZR	for 1.2 mm (0.045") wire
629033009	3-2-0.9 CR-ZR	for 0.9 mm (0.035") wire	629033014	3-2-1.4 CR-ZR	for 1.4 mm (0.055") wire
629033010	3-2-1.0 CR-ZR	for 1.0 mm (0.039") wire	629033016	3-2-1.6 CR-ZR	for 1.6 mm (1/16") wire

Contact Tips M8 x 1.102" (28 mm) - Use with 400 and 500 amp Models

Part Number	Part Name	Description	Part Number	Part Name	Description
629030108	3-2-0.8 M8	for 0.8-0.9 mm (0.030"-0.035") wire	629030114	3-2-1.4 M8	for 1.4 mm (0.055") wire
629030110	3-2-1.0 M8	for 1.0 mm (0.039") wire	629030116	3-2-1.6 M8	for 1.6 mm (1/16") wire
629030112	3-2-1.2 M8	for 1.2 mm (0.045") wire			

Contact Tips M8 x 1.102" (28 mm), Chrome Zirconium - Use with 400 and 500 amp Models

Part Number	Part Name	Description
629033110	3-2-1.0 M8 CR-ZR	for 1.0 mm (0.039") wire
629033112	3-2-1.2 M8 CR-ZR	for 1.2 mm (0.045") wire
629033113	3-2-1.3 M8 CR-ZR	for 1.3 mm (0.052") wire
629033114	3-2-1.4 M8 CR-ZR	for 1.4 mm (0.055") wire
629033116	3-2-1.6 M8 CR-ZR	for 1.6 mm (1/16") wire

Contact Tips M9 x 1.102" (28 mm) - Use with 600 amp Model

Part Number	Part Name	Description	Part Number	Part name	Description
6390355120	3-3-5512	for 1.2 mm (0.045") wire	6390355180	3-3-5518	for 1.8 mm (0.070") wire
6390355140	3-3-5514	for 1.4 mm (0.055") wire	6390355200	3-3-5520	for 2.0 mm (5/64") wire
6390355160	3-3-5516	for 1.6 mm (1/16") wire	6390355240	3-3-5524	for 2.4 mm (3/32") wire

Contact Tip Adaptors - For use with 400 amp Model only

Part Number	Part Name	Description	Part Number	Part Name	Description
628150006	GS 2 M6	M6 contact tip adaptor	628150008	GS 2 M8	M8 contact tip adaptor

Gas Diffusers

Use with 350 amp Model

Part Number	Part Name	Description
6391059001	GVT 590	Gas diffuser
6391059003	GVT 590 K	Gas diffuser (10 pcs)

Use with 550 amp Model

Part Number	Part Name	Description
6291003052	10-2-305	Gas diffuser
6291003051	10-2-305 K	Gas diffuser (10 pcs)

Use with 400 amp Model

Part Number	Part Name	Description
6391054000	10-3-540	Gas diffuser

Use with 600 amp Model

Part Number	Part Name	Description
6391055000	10-3-550	Gas diffuser

Liners

Part Number	Part Name	Description	Length
613000135	DS 4/1.5-3.5	for 0.8 mm - 1.0 mm (0.030" - 0.039") wire	3.5 m
613000155	DS 4/1.5-5.5	for 0.8 mm - 1.0 mm (0.030" - 0.039") wire	5.5 m
6130001105	DS 4/1.5-10.5	for 0.8 mm - 1.0 mm (0.030" - 0.039") wire	10.5 m
613000100	DS 4/1.5-50	for 0.8 mm - 1.0 mm (0.030" - 0.039") wire	50.0 m
613000235	DS 4/1.8-3.5	for 1.0 mm - 1.2 mm (0.039" - 0.045") wire	3.5 m
613000255	DS 4/1.8-5.5	for 1.0 mm - 1.2 mm (0.039" - 0.045") wire	5.5 m
6130002105	DS 4/1.8-10.5	for 1.0 mm - 1.2 mm (0.039" - 0.045") wire	10.5 m
613000200	DS 4/1.8-50	for 1.0 mm - 1.2 mm (0.039" - 0.045") wire	50.0 m
623000335	DS 4/2.2-3.5	for 1.2 mm - 1.4 mm (0.045" - 0.052") wire	3.5 m
623000355	DS 4/2.2-5.5	for 1.2 mm - 1.4 mm (0.045" - 0.052") wire	5.5 m
6230003105	DS 4/2.2-10.5	for 1.2 mm - 1.4 mm (0.045" - 0.052") wire	10.5 m
623000300	DS 4/2.2-50	for 1.2 mm - 1.4 mm (0.045" - 0.052") wire	50.0 m
623000435	DS 4/2.4-3.5	for 1.2 mm - 1.6 mm (0.045" - 1/16") wire	3.5 m
623000455	DS 4/2.4-5.5	for 1.2 mm - 1.6 mm (0.045" - 1/16") wire	5.5 m
6230004105	DS 4/2.4-10.5	for 1.2 mm - 1.6 mm (0.045" - 1/16") wire	10.5 m
623000400	DS 4/2.4-50	for 1.2 mm - 1.6 mm (0.045" - 1/16") wire	50.0 m
623000535	DS 4/2.9-3.5	for 1.6 mm - 2.4 mm (1/16" - 3/32") wire	3.5 m
623000555	DS 4/2.9-5.5	for 1.6 mm - 2.4 mm (1/16" - 3/32") wire	5.5 m
6230005105	DS 4/2.9-10.5	for 1.6 mm - 2.4 mm (1/16" - 3/32") wire	10.5 m
623001500	DS 4/2.9-50	for 1.6 mm - 2.4 mm (1/16" - 3/32") wire	50.0 m

Liners for Aluminum Wire

Part Number	Part Name	Description	Length
613002003	DSK 1-0.3	for 0.8 mm - 1.0 mm (0.030" - 0.039") wire	0.3 m
613002035	DSK 1-3.5	for 0.8 mm - 1.0 mm (0.030" - 0.039") wire	3.5 m
613002055	DSK 1-5.5	for 0.8 mm - 1.0 mm (0.030" - 0.039") wire	5.5 m
6130020105	DSK 1-10.5	for 0.8 mm - 1.0 mm (0.030" - 0.039") wire	10.5 m
613002000	DSK 1-100	for 0.8 mm - 1.0 mm (0.030" - 0.039") wire	100.0 m
623002003	DSK 2-0.3	for 1.0 mm - 1.4 mm (0.039" - 0.052") wire	0.3 m
623002035	DSK 2-3.5	for 1.0 mm - 1.4 mm (0.039" - 0.052") wire	3.5 m
623002055	DSK 2-5.5	for 1.0 mm - 1.4 mm (0.039" - 0.052") wire	5.5 m
6230020105	DSK 2-10.5	for 1.0 mm - 1.4 mm (0.039" - 0.052") wire	10.5 m
623002000	DSK 2-100	for 1.0 mm - 1.4 mm (0.039" - 0.052") wire	100.0 m
6230025030	DSK 3-0.3	for 1.6 mm (1/16") wire	0.3 m
623002535	DSK 3-3.5	for 1.6 mm (1/16") wire	3.5 m
623002555	DSK 3-5.5	for 1.6 mm (1/16") wire	5.5 m
6230025105	DSK 3-10.5	for 1.6 mm (1/16") wire	10.5 m
623002500	DSK 3-100	for 1.6 mm (1/16") wire	100.0 m
6130011000	DST 1-10	for 0.8 mm - 1.0 mm (0.030" - 0.039") wire	10.0 m
613001350	DST 1-3.5	for 0.8 mm - 1.0 mm (0.030" - 0.039") wire	3.5 m
623001003	DST 2-0.3	for 1.0 mm - 1.4 mm (0.039" - 0.052") wire	0.3 m
623001250	DST 2-2.5	for 1.0 mm - 1.4 mm (0.039" - 0.052") wire	2.5 m
623001350	DST 2-3.5	for 1.0 mm - 1.4 mm (0.039" - 0.052") wire	3.5 m
623001550	DST 2-5.5	for 1.0 mm - 1.4 mm (0.039" - 0.052") wire	5.5 m

(high temp applications)
 (high temp applications)
 (high temp applications)
 (high temp applications)
 (high temp applications)
 (high temp applications)

Liner Gauge

Part Number	Part Name	Description
628100001	DSH 300	Liner Gauge (Distance sleeve)

Jump Liners (required for MIG guns equipped with wire brake)

See OM-CWD Owner's Manual for liner trim instructions

Components

Water-Cooled Necks

350 amp Models

Part Number	Part Name	Description	Length
6390635920	6-3-592 METZ	22 degree	medium
6390635903	6-3-592 L METZ	22 degree	long
6390635906	6-3-592 XL METZ	22 degree	extended
6390635940	6-3-594 METZ	45 degree	medium
6390635904	6-3-594 L METZ	45 degree	long
6390635907	6-3-594 XL METZ	45 degree	extended

For guns equipped without wire brake: All necks require Connecting Piece part number 639061500041 (MES 300/500)

For guns equipped with wire brake: All necks require Clamp Sleeve part number 629270270 (SH 270)

400 amp Models

Part Number	Part Name	Description	Length
6390635420	6-3-542 METZ	22 degree	medium
6390635403	6-3-542 L METZ	22 degree	long
6390635406	6-3-542 XL METZ	22 degree	extended
6390635440	6-3-544 METZ	45 degree	medium
6390635404	6-3-544 L METZ	45 degree	long
6390635407	6-3-544 XL METZ	45 degree	extended

For guns equipped without wire brake: All necks require Connecting Piece part number 639061500041 (MES 300/500)

For guns equipped with wire brake: All necks require Clamp Sleeve part number 629270270 (SH 270)

500 amp Models

Part Number	Part Name	Description	Length
6390635720	6-3-572 METZ	22 degree	medium
6390635703	6-3-572 L METZ	22 degree	long
6390635706	6-3-572 XL METZ	22 degree	extended
6390635740	6-3-574 METZ	45 degree	medium
6390635704	6-3-574 L METZ	45 degree	long
6390635707	6-3-574 XL METZ	45 degree	extended

For guns equipped without wire brake: All necks require Connecting Piece part number 639061500041 (MES 300/500)

For guns equipped with wire brake: All necks require Clamp Sleeve part number 629270270 (SH 270)

600 amp Models

Part Number	Part name	Description	Length
631355005	6-3-5522 METZ	22 degree	medium
631155002	6-3-5522 L METZ	22 degree	long
631155005	6-3-5522 XL METZ	22 degree	extended
631355006	6-3-5545 METZ	45 degree	medium
631155003	6-3-5545 L METZ	45 degree	long
631155006	6-3-5545 XL METZ	45 degree	extended

For guns equipped without wire brake: All necks require Connecting Piece part number 639061500041 (MES 300/500)

For guns equipped with wire brake: All necks require Clamp Sleeve part number 629270270 (SH 270)

Water-Cooled Cable Assemblies

Part Number	Part Name	Description
630163482	METZ 600-1.2 N /0244	1.2 m cable assembly (includes connector housing)
630163489	METZ 600-1.2 N /WB1 /0244	1.2 m cable assembly (includes connector housing), wire brake
630163483	METZ 600-1.4 N /0244	1.4 m cable assembly (includes connector housing)
630163490	METZ 600-1.4 N /WB1 /0244	1.4 m cable assembly (includes connector housing), wire brake
630163484	METZ 600-1.8 N /0244	1.8 m cable assembly (includes connector housing)
630163491	METZ 600-1.8 N /WB1 /0244	1.8 m cable assembly (includes connector housing), wire brake
630163485	METZ 600-2 N /0244	2.0 m cable assembly (includes connector housing)
630163492	METZ 600-2 N /WB1 /0244	2.0 m cable assembly (includes connector housing), wire brake
630163486	METZ 600-2.5 N /0244	2.5 m cable assembly (includes connector housing)
630163493	METZ 600-2.5 N /WB1 /0244	2.5 m cable assembly (includes connector housing), wire brake
630163487	METZ 600-3 N /0244	3.0 m cable assembly (includes connector housing)
630163494	METZ 600-3 N /WB1 /0244	3.0 m cable assembly (includes connector housing), wire brake
630163488	METZ 600-3.5 N /0244	3.5 m cable assembly (includes connector housing)
630163495	METZ 600-3.5 N /WB1 /0244	3.5 m cable assembly (includes connector housing), wire brake

Water-Cooled Cable Bundles

<i>Part Number</i>	<i>Part Name</i>	<i>Description</i>
63200600112	VLEZ 600-12 /0244	1.2 m cable bundle
63200600312	VLEZ 600-12 WB 1 /0244	1.2 m cable bundle, wire brake
63200600114	VLEZ 600-14 /0244	1.4 m cable bundle
63200600314	VLEZ 600-14 WB 1 /0244	1.4 m cable bundle, wire brake
632006364	VLEZ 600-18 /0244	1.8 m cable bundle
632006371	VLEZ 600-18 WB 1 /0244	1.8 m cable bundle, wire brake
63200600120	VLEZ 600-20 /0244	2.0 m cable bundle
63200600320	VLEZ 600-20 WB 1 /0244	2.0 m cable bundle, wire brake
632006366	VLEZ 600-25 /0244	2.5 m cable bundle
632006373	VLEZ 600-25 WB 1 /0244	2.5 m cable bundle, wire brake
632006367	VLEZ 600-30 /0244	3.0 m cable bundle
632006374	VLEZ 600-30 WB 1 /0244	3.0 m cable bundle, wire brake
632006368	VLEZ 600-35 /0244	3.5 m cable bundle
632006375	VLEZ 600-35 WB 1 /0244	3.5 m cable bundle, wire brake

Connector Housing Assembly

<i>Part Number</i>	<i>Part Name</i>	<i>Description</i>	<i>Part Number</i>	<i>Part Name</i>	<i>Description</i>
6391530003	MEZ 150	Connector housing assembly	639076001	ME 090	Socket set for clutch
639073019	MET 070	Connector housing	639085001	ME 080	Push button set for setup mode
639061500041	MES 300/500	Connecting piece			

Rear Handle Assembly

<i>Part Number</i>	<i>Part name</i>	<i>Description</i>
638900045	KCZME 600 N	Rear handle assembly
638900025	KCZME 600 SAZ	Rear handle assembly, Euro

Rear Handle Assembly Components

<i>Part Number</i>	<i>Part Name</i>	<i>Description</i>	<i>Part Number</i>	<i>Part Name</i>	<i>Description</i>
6391250013	12-3-510 HR	Fixing ring	629171004	VL 171 ROT	Connection hose, red
6391250011	12-3-510 SG	Rear handle housing	629171003	VL 170 BLAU	Connection hose, blue
629160000	16-2	Water plug	629172002	VL 173	Cap, red
639116076	ME 600 N	Plug insert	629172001	VL 172	Cap, blue
639116068	ME 600 SAZ	Plug insert, Euro	629070005	ME 300 HS	Holding screws, 10 pcs

Control Cables - for use with Clutch Models

<i>Part Number</i>	<i>Description</i>
639119004	2 meter - not terminated
639119005	5 meter - not terminated
639119006	18" 4-pin AMP® CPC Series connector (Motoman®/Miller®)
639119007	24" 3-pin Amphenol® 97 Series connector
639119008	18" 12-pin Burndy® UTG Series connector (ABB®)
639119009	24" 5-pin Mini plug

Wire Brake System

<i>Part Number</i>	<i>Part Name</i>	<i>Description</i>	<i>Part Number</i>	<i>Part Name</i>	<i>Description</i>
629470100	WB 1	Wire brake for wire 0.8-1.6 mm	62947010016	DBA 100	Wire brake adaptor
62947010010	DBE 100	Wire brake unit	62947010024	DFB 100	Guide sleeve

Mounting Options

Mounting Arms

Part Number	Part Name	Description
683500100	PHF 100	Mounting Arm, 45 degree, fixed
683500104	PHF 110	Mounting Arm, 30 degree, fixed
683501100	PHW 100	Mounting Arm, 45 degree, adjustable

Mounting Arm Components

Part Number	Part Name	Description
683530100	FH 100	Bracket, 45 degree, fixed mounting arm
683510100	HA 100 (0°)	Retainer, 45 degree, fixed and adjustable mounting arm
683551100	WI 100	Rocker, 45 degree, adjustable mounting arm
683541100	WH 100	Bracket, 45 degree, adjustable mounting arm
683530110	FH 110	Bracket, 30 degree, fixed mounting arm
683510018	HA 110/011 (30°)	Retainer, 30 degree, fixed mounting arm

Clutch

Part Number	Part Name	Description	Part Number	Part Name	Description
683100001	SAS 100	Clutch	683100015	SAS 640	Dust boot
			683100018	SAS 650	Switch set

Solid Mount

Part Number	Part Name	Description
683100036	SAS 100 SM	Solid Mount

Insulating and Transition Discs

For ABB® Robots

Part Number	Part Name	Description
683116012	ADF 6012	for IRB 6, IRB 1000, IRB 1400, IRB 1500, IRB 1600, IRB 2000, IRB 2400/2400L
683116017	ADF 6017	for IRB 6400, IRB 640 M98
683116018	ADF 6018	for IRB 2400/10, IRB 2400/16, IRB 2600, IRB 4400 L, IRB 4600-20
683116042	ADF 6042	for IRB 140
683116086	ADF 6086	for IRB 4400, IRB 4600-40, IRB 4600-45, IRB 4600-60

For Cloos® Robots

Part Number	Part Name	Description
683116031	ADF 6031	for Romat 56
683116032	ADF 6032	for Romat 75/76
683116033	ADF 6033	for Romat 310, Romat 320, Romat 350, Romat 410

For COMAU® Robots

Part Number	Part Name	Description
683116042	ADF 6042	for Smart SIX
683116221	ADF 6221	for Smart S4, Smart NS 12-1.85 ARC, Smart NS 16-1.65 ARC, Smart NM 16-3.1

For FANUC® Robots

Part Number	Part Name	Description
683116002	ADF 6002	for 50iL, LR Mate 200 iC, LR Mate 200 iB, LR Mate 200 iB/3L
683116012	ADF 6012	for 120iL, 100, RJ2S12, M-710iC/20L
683116017	ADF 6017	for R 2000iA 165 F/R/L, R 2000iA 125L
683116024	ADF 6024	for ARC Mate 100 iC, ARC Mate 100 iC/6L, ARC Mate 120 iC, ARC Mate 120 iC/10L, 100 RJ 3 iC
683116042	ADF 6042	for ARC Mate 120 iB, M-6iB/2 HS, M 16 iB, M-710 iC/20L

For Hitachi® Robots

Part Number	Part Name	Description
683116025	ADF 6025	for M6100
683116042	ADF 6042	for MR 6060

For Hyundai® Robots

Part Number	Part Name	Description
683116028	ADF 6028	for HR006/015, 010L/030L/050

Insulating and Transition Discs (continued)

For Kawasaki® Robots

<i>Part Number</i>	<i>Part Name</i>	<i>Description</i>
683116042	ADF 6042	for JS 6, JS 10, FA 06 E
683116221	ADF 6221	for FA 10 L

For KUKA® Robots

<i>Part Number</i>	<i>Part Name</i>	<i>Description</i>
683116026	ADF 6026	for KR 16 arc HW
683116029	ADF 6029	for KR 5, KR 5 ARC HW
683116042	ADF 6042	for KR 5 ARC, KR 6 ARC, KR 16-L6 ARC, KR 6
683116084	ADF 6084	for KR 6/2, KR 15/2, KR 16, KR 16 L, KR 30L16, KR IR 364/8
683116085	ADF 6085	for KR 125/2, KR 125 L90/2, KR 125 L 100/2, KR 150/2, KR 150/2, KR 150 L 130/2
683116086	ADF 6086	for KR 30/2

For Manutec® Robots

<i>Part Number</i>	<i>Part Name</i>	<i>Description</i>
683116070	ADF 6070	for R3, R15, R15 D

For Mitsubishi® Robots

<i>Part Number</i>	<i>Part Name</i>	<i>Description</i>
683116042	ADF 6042	for RV 12 S, RV 12 SL

For OTC Daihen® Robots

<i>Part Number</i>	<i>Part Name</i>	<i>Description</i>
683116012	ADF 6012	for V 01, V 6, V 10, AX M H3, V 6L
683116089	ADF 6089	for IRB 471

For Panasonic® Robots

<i>Part Number</i>	<i>Part Name</i>	<i>Description</i>
683116160	ADF 6160	for AW 550, AW 0660, AW 8010
683116161	ADF 6161	for VR 006AL 1, VR 006AL 2, VR 008, Tawers 1600, Tawers 1800, Tawers 1400, Tawers 1800 TB

For Reis® Robots

<i>Part Number</i>	<i>Part Name</i>	<i>Description</i>
683116103	ADF 6103	for RV 6, RV 6L, RV 20-6
683116106	ADF 6106	for RV20-6HW, RV20-10HW, RV30-10HW
683116221	ADF 6221	for RV 12, RV 12L, RV 15, RV 16, RV 20-16, RV 30-16

For SEF Robots

<i>Part Number</i>	<i>Part Name</i>	<i>Description</i>
683116221	ADF 6221	for SR25/A2

For Stäubli® Robots

<i>Part Number</i>	<i>Part Name</i>	<i>Description</i>
683116002	ADF 6002	for TX 60, TX 60L
683116103	ADF 6103	for TX 90, TX 90L, TX 90XL

For Yaskawa®/Motoman® Robots

<i>Part Number</i>	<i>Part Name</i>	<i>Description</i>
683116002	ADF 6002	for Motoman HP 3 C, Motoman HP 3 J
683116040	ADF 6040	for Motoman L 106
683116042	ADF 6042	for Motoman K 6S, Motoman K 10S, Motoman K 205S, Motoman SRC 6, Motoman JS 6, Motoman 3S 10, Motoman SK 6, Motoman SK 10, Motoman SK 16, Motoman HP20/UP 20, Motoman HP 6 UP 6, Motoman YRUP 20-A00, Motoman YRUP 50N-A00, Motoman MH6
683116047	ADF 6047	for Motoman EA 1400N, Motoman EA 1900N, Motoman MA 1400, Motoman MA 1900, Motoman MA 3100, Motoman DX 100

Power Pins

<i>Part Number</i>	<i>Part Name</i>	<i>Description</i>
639118003	PP 102	for Miller® Axxcess Feeder 60 Series, Axxcess Feeder 70 Series
639118004	PP 103	for Tweco® #4
639118005	PP 104	for Panasonic® Gun Slinger 260 standard
639118009	PP 108	for Fronius® VR 5000 rob/PAP
639118010	PP 109	for Lincoln® Auto Drive 4R90, Auto Drive 4R100, Auto Drive 4R220
639118015	PP 133	for OTC Daihen AF-4001, AFA-4001, AFT-4201, AFU-4201
639118016	PP 114	for Kemppi® DT 410

Peripherals & Accessories

Neck Checking Fixtures

Designed to test neck tolerance vs. tool center point (TCP), these checking fixtures are made of a high grade aluminum alloy for extended life. The aligning module allows for separate realignment of the inner and outer parts of the neck, optimizing the accuracy of the TCP.

For Use with 350 amp Model

Part Number	Part Name	Description
685300151	PV 150	Neck Checking Fixture
685305230	JS 390/590	Aligning set
685305100	JM 100	Aligning module

Components and Replacements Parts

Neck Checking Fixture

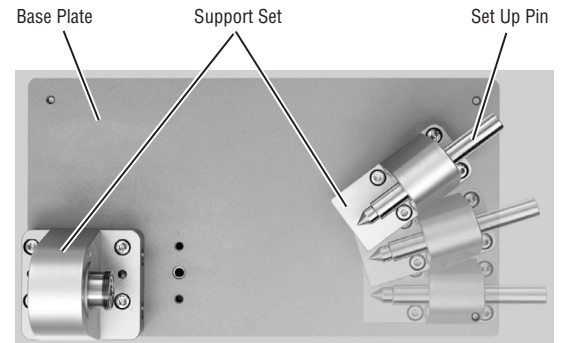
Part Number	Part Name	Description
685301151	PVB 150	Base plate
685302105	PVS 100	Support set
685302115	PVL 106	Set up pin, 0.6 mm OD contact tips
685302114	PVL 108	Set up pin, 0.8 mm OD contact tips
685303112	PVP 100	Torch adaptor

Aligning Set

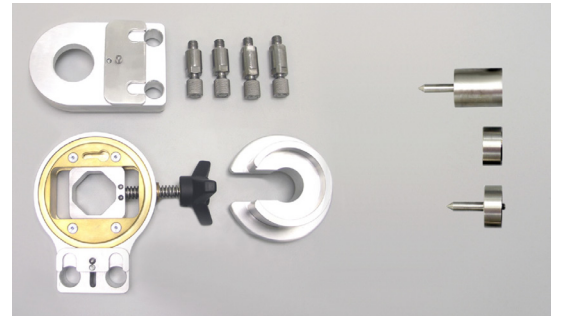
Part Number	Part Name	Description
685305201	JSZ 104	Aligning cylinder
685305212	JSA 101	Aligning adaptor
685305223	JSL 107	Aligning gauge

Aligning Module

Part Number	Part Name	Description
685305130	JB 100	Aligning socket
685305110	JW 100	Aligning tool
685305120	JH 100	Aligning bracket
685305140	JBW 100	Aligning pin - W
685305150	JBH 100	Aligning pin - H



Neck Checking Fixture PV 150



Aligning module JM 100 (left) and aligning set JS 390/590 (right)

For Use with 400 amp and 500 amp Models

Part Number	Part Name	Description
685300101	PV 100	Neck Checking Fixture
685305250	JS 570	Aligning set
685305100	JM 100	Aligning module

Components and Replacement Parts

Neck Checking Fixture

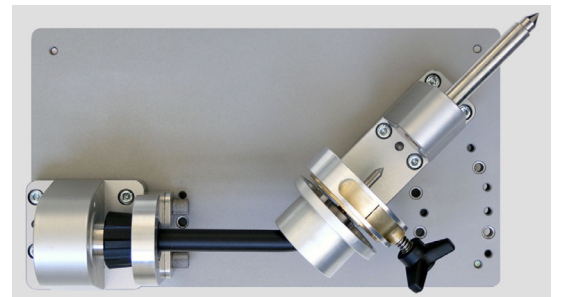
Part Number	Part Name	Description
685301101	PVB 100	Base plate
685302105	PVS 100	Support set
685302115	PVL 106	Set up pin, 0.6 mm OD contact tips
685302114	PVL 108	Set up pin, 0.8 mm OD contact tips
685303112	PVP 100	Torch adaptor

Aligning Set

Part Number	Part Name	Description
685305201	JSZ 104	Aligning cylinder
685305211	JSA 100	Aligning adaptor
685305222	JSL 108	Aligning gauge
685305224	JSL 109 M8	Aligning gauge (M8)
6390454000	4-2-MAS	Clamp nut
628140000	SAD 2-404/540	Screw adaptor

Aligning Module

Part Number	Part Name	Description
685305130	JB 100	Aligning socket
685305110	JW 100	Aligning tool
685305120	JH 100	Aligning bracket
685305140	JBW 100	Aligning pin - W
685305150	JBH 100	Aligning pin - H



Neck Checking Fixture with neck and aligning module

For Use with 600 amp Model

Part Number	Part Name	Description
685300151	PV 150	Neck Checking Fixture
685305230	JS 5500	Aligning set
685305100	JM 100	Aligning module

Components and Replacements Parts

Neck Checking Fixture

Part Number	Part Name	Description
685301151	PVB 150	Base plate
685302105	PVS 100	Support set
685302115	PVL 106	Set up pin, 0.6 mm OD contact tips
685302114	PVL 108	Set up pin, 0.8 mm OD contact tips
685303112	PVP 100	Torch adaptor

Aligning Set

Part Number	Part Name	Description
685305201	JSZ 104	Aligning cylinder
685305212	JSA 101	Aligning adaptor
685305223	JSL 107	Aligning gauge

Aligning Module

Part Number	Part Name	Description
685305130	JB 100	Aligning socket
685305110	JW 100	Aligning tool
685305120	JH 100	Aligning bracket
685305140	JBW 100	Aligning pin - W
685305150	JBH 100	Aligning pin - H

Service Tools

Below is a complete list of required* and optional tools for Tregaskiss by DINSE CWD Robotic Water-Cooled MIG Gun installation.

Part Number	Part Name	Description
6380160001*	SLAT 4	Hook Spanner; for tightening necks and cables
628010012	SSL 1/2	Special Spanner; for tightening contact tips and contact tip adaptors
6380101080	STLA 3 M8	Socket Spanner; for tightening 3-2-xxxx M8 contact tips
638400002	DMS 100	Torque Wrench; for tightening contact tips (torque bit not included)
638400004	DMV 100	Torque extension (included in DMS 100)
638400001	DMG 100-1.1 Nm	Torque transmitter; for tightening contact tips (included in DMS 100)
638400003	DMB 100-M6	Torque bit (M6)
638400005	DMB 100-M8	Torque bit (M8)



Hook Spanner



Special Spanner



Socket Spanner



Torque Wrench



Torque Bit (M6)

Torque Bit (M8)



Torque Extension



Torque Transmitter

Ordering Information

Step #1 - Tregaskiss by DINSE CWD Robotic Water-Cooled MIG Gun

CWD Series			Amperage	Neck	Gun Mount & Options	Contact Tip*	Cable Length	Nozzle	Control Cable	Wire Size***	Power Pin
C	W	D	5	B	1	4	A	K	0	C	D
			3 350 amp	Medium	1 Clutch	1 3-2-x.x**	A 1.2 m (4.0 ft)	A 1-3-5915 A^^^	0 No Control Cable	C 0.8 mm (0.035")††	D OTC Daihen®
			4 400 amp	Length	3‡ Solid Mount	2 3-2-x.x CR-ZR**	Cable: METZ 600-1.2 or METZ 600-1.2 WB1	B 1-3-5911 A^^^	Bare End	D 1.0 mm (0.040")††	F Fronius®
			5 500 amp	A 22 degrees	5 Clutch + Wire Brake	3 3-2-x.x M8^		C 1-3-5914^^^	1 5 m	E 1.2 mm (3/64")††	L Lincoln®
			6 600 amp	B 45 degrees	7‡ Solid Mount + Wire Brake	4 3-2-x.x M8 CR-ZR^	B 1.4 m (5.0 ft)	D 1-3-5413 A***	2 2 m	G 1.3 mm (0.052")††	M Miller®
				Long		5 3-3-55xx^^	Cable: METZ 600-1.4 or METZ 600-1.4 WB1	E 1-3-5415 A***	4-Pin	H 1.4 mm (0.055")††	P Panasonic®
				Length††			C 1.8 m (5.9 ft)	F 1-3-5418 A***	3 18-inch	J 1.6 mm (1/16")††	T Tweco® #4
				D 22 degrees			Cable: METZ 600-1.8 or METZ 600-1.8 WB1	G 1-3-5413 AR***	3-Pin	K 1.8 mm (0.070")††	K Kemppi®
				E 45 degrees			D 2.0 m (7.0 ft)	H 1-3-5413 AK***	4 24-inch	L 2.0 mm (0.078")††	
				Extended			Cable: METZ 600-2.0 or METZ 600-2.0 WB1	J 1-3-5413 AKR***	12-Pin	M 2.4 mm (3/32")†††	
				Length††			F 3.0 m (9.8 ft)	K 1-3-5415 AR***	5 18-inch		
				F 22 degrees			Cable: METZ 600-3.0 or METZ 600-3.0 WB1	L 1-3-5415 AK***	5-Pin		
				G 45 degrees			E 2.5 m (8.2 ft)	M 1-3-5415 AKR***	6 24-inch		
							Cable: METZ 600-2.5 or METZ 600-2.5 WB1	N 1-3-5715 A†			
								P 1-3-5718 A†			
								Q 1-3-5721 A†			
								R 1-3-5715 SAD†			
								S 1-3-5718 SAD†			
								T 1-3-5721 SAD†			
								U 1-3-5515 A^^			
								V 1-3-5518 A^^			
								W 1-3-5521 A^^			

*x.x and xx represents wire size (i.e. 0.8=0.8 mm, 1.0=1.0 mm or 10=1.0 mm, 12=1.2 mm)

**Compatible with 350 amp and 400 amp model only

***Compatible with 400 amp model only

^Compatible with 400 amp and 500 amp model only

^^Compatible with 600 amp model only

^^^Compatible with 350 amp model only

†Compatible with 500 amp model only

††Requires liner DS 4/1.8-x.x (part number 6130002xx) where xx=cable length (i.e. 3.5 m cable length = DS 4/1.8-3.5, part number 613000235)

†††Requires liner DS 4/2.2-x.x (part number 6230003xx) where xx=cable length (i.e. 5.5 m cable length = DS 4/2.2-5.5, part number 623000355)

‡Control cable not available with solid mount model; Select "0" for "Control Cable" option when configuring solid mount.

‡‡Long and extended length necks not available for 600 amp models

Step #2 - Insulating/Transition Discs

Select your insulating disc from page 9/10 and enter it here:

Step #3 - Mounting Arms

Select your mounting arm from page 9 and enter it here:

Step #4 - Mounting Options

Select a SAS 100 clutch or

SAS 100 SM solid mount option from page 9 and enter it here:

Tregaskiss™ is a trademark of Tregaskiss, a division of ITW Canada, Inc.
DINSE™ is a trademark of Dinse GmbH.

Subject to Change – The information presented in this spec sheet is accurate to the best of our knowledge at the time of printing.
Please visit Tregaskiss.com for the most up-to-date information.

Distributed By:

