

Tregaskiss® MW1 Fixed Automatic Water-Cooled MIG Guns

Issued March 2021 • Index No. MW1/1.3

Automatic Water-Cooled
MIG Welding Guns



Quick Specs

Duty Cycle Rating

100%: 500 and 600 amp
CO₂ gas and mixed gases

Ratings are based on tests that comply with IEC 60974-7 standards

Processes

MIG (GMAW) Welding

Industry

Heavy Equipment
Heavy Fabrication

Welding Applications

Fixed/hard automation
Long repeatable seams
Fixed orbital

Ensure consistent high-quality welds while reducing downtime for maintenance and repairs

Fixed automatic MIG guns that you fabricate yourself can cause downtime and rework. Get Tregaskiss® Fixed Automatic MIG Guns for the dependable performance, productivity and weld quality you need.

Tregaskiss MW1 Fixed Automatic Water-Cooled MIG Guns are engineered for hard tooling automation applications requiring a simple, durable and repeatable MIG gun that maximizes uptime and throughput. These MIG welding guns are available in 500 and 600 amp models.

AccuLock™

Now Available!

AccuLock™ R Consumables are designed for increased tip life and replacement accuracy, which can reduce your replacement frequency and related downtime.



Few replacement parts results in low inventory costs



Simple design makes maintenance easy and quick



Choose from cable lengths ranging from 3' to 15'

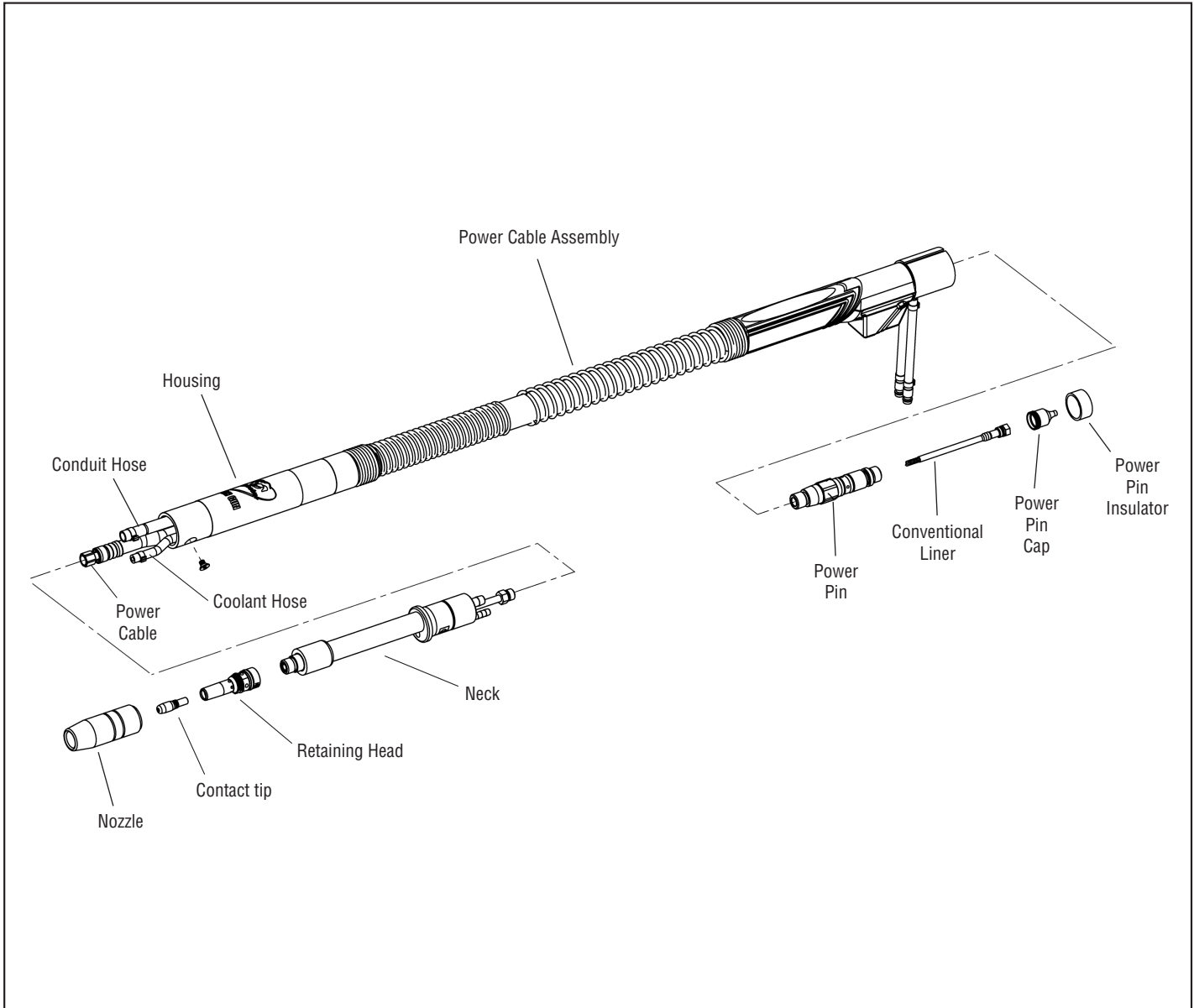


Tregaskiss
2570 North Talbot Road
Windsor, Ontario N0R 1L0
Canada

Phone: 1-855-MIGWELD (644-9353) (US & Canada)
+1-519-737-3000 (international)
Fax: 519-737-1530
For more information, visit us at Tregaskiss.com

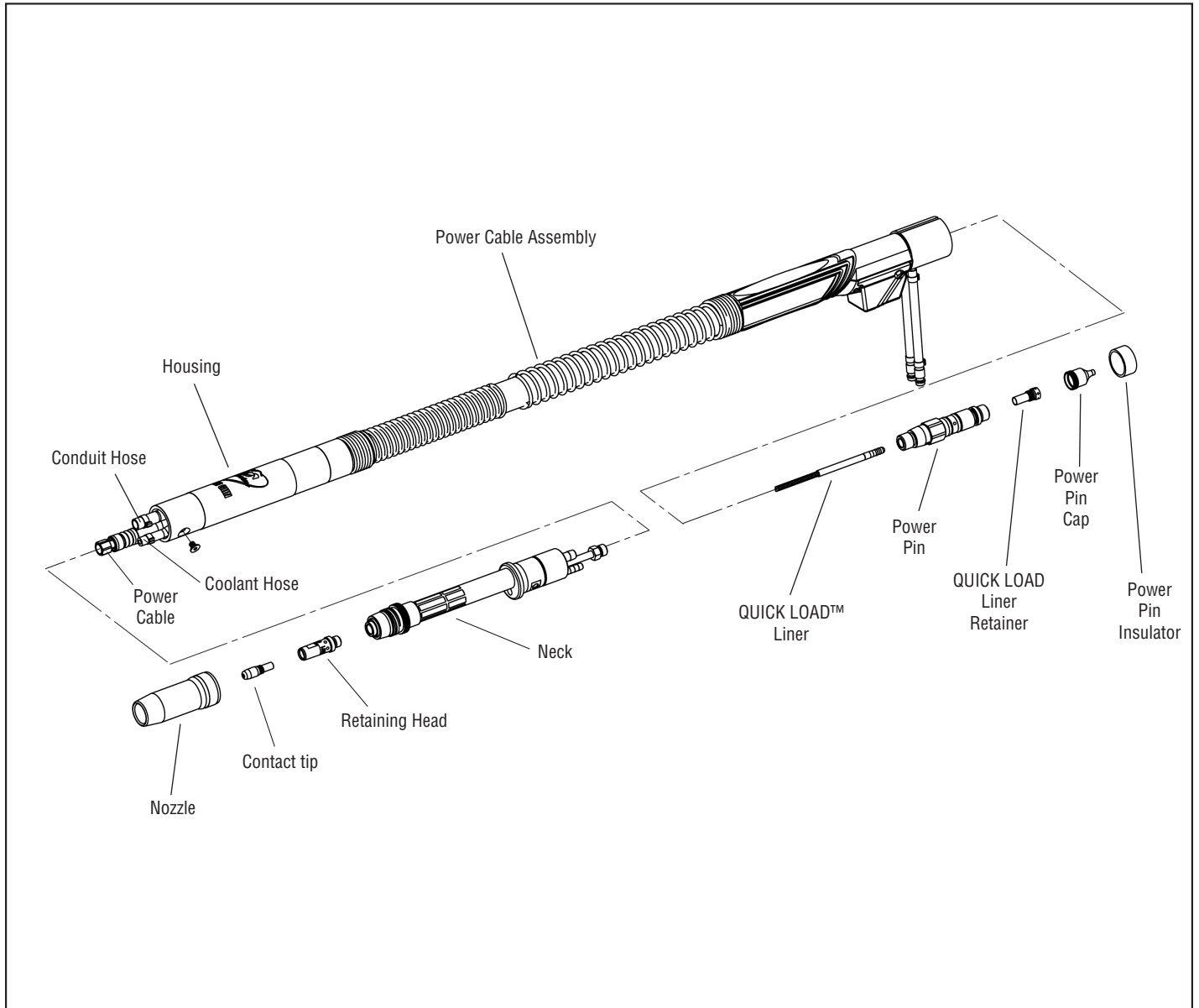
System Components

500 amp



System Components

600 amp



Know Your Options

AccuLock™ R (Robotic) Consumables

Eliminate contact tip cross-threading issues with new AccuLock R Consumables. These new consumables are designed for increased tip life, which can reduce replacement frequency and related downtime.

AccuLock HDP Contact Tips can increase life by an additional 10x or more in pulse welding applications. And in most cases, your current tip and diffuser can be replaced with no impact to Tool Center Point (TCP), making this upgrade low effort, low risk, and high payoff.



QUICK LOAD® Liners

The QUICK LOAD Liner System loads from the front of the MIG gun, and requires less than half the time and effort for replacement when compared with conventional liners. These liners interface with a QUICK LOAD Liner Retainer that is seated within the power pin of the gun on first use. QUICK LOAD Liners are compatible with 600 amp MW1 Tregaskiss Fixed Automatic MIG guns. Available for wire sizes between 0.023" and 3/32" and in lengths of up to 15 feet for robotic applications.



Consumables Options

AccuLock™ Heavy Duty (HD) Copper Contact Tips

T-A030CH* for 0.030" (0.8 mm) wire; qty. 10	T-A062CH for 1/16" (1.6 mm) wire; qty. 10
T-A035CH* for 0.035" (0.9 mm) wire; qty. 10	T-A072CH for 0.070" (1.8 mm) wire; qty. 10
T-A039CH* for 0.039" (1.0 mm) wire; qty. 10	T-A078CH for 5/64" (2.0 mm) wire; qty. 10
T-A045CH* for 0.045" (1.2 mm) wire; qty. 10	T-A094CH for 3/32" (2.4 mm) wire; qty. 10
T-A052CH* for 0.052" (1.3 mm) wire; qty. 10	T-ALTOOL AccuLock Tip Tool



NOTE: add "-100 to the end of the above HD copper contact tip part numbers for quantities of 100.

*Add "-1000" to end of the above part numbers for quantities of 1000.

AccuLock R Gas Diffusers

D-ATTH* Gas diffuser, thread-on (500 amp)	D-ATTH-MW1 Gas diffuser, thread-on (600 amp)
D-ATSH* Gas diffuser, slip-on (500 amp)	

* add "-100 to the end of the above gas diffuser part numbers for quantities of 100.

TOUGH LOCK® Heavy Duty (HD) Contact Tips

403-20-30 for 0.030" (0.8 mm) wire	403-20-1.4 for 0.055" (1.4 mm) wire
403-20-35 for 0.035" (0.9 mm) wire	403-20-116 for 1/16" (1.6 mm) wire
403-20-1.0 for 0.040" (1.0 mm) wire	403-20-1.8 for 0.070" (1.8 mm) wire
403-20-45 for 0.045" (1.2 mm) wire	403-20-78 for 0.078" (2.0 mm) wire
403-20-364 for 3/64" (1.2 mm) wire	403-20-564 for 5/64" (2.0 mm) wire
403-20-52 for 0.052" (1.3 mm) wire	403-20-332 for 3/32" (2.4 mm) wire

TOUGH LOCK Retaining Heads

404-20 HD – Retaining head, slip-on (500 amp)	404-38 HD – Retaining head, thread-on (600 amp)
--	--

Nozzles

Part Number	Description	Style	O.D.	Amperage	Compatible Consumables Series	
					TOUGH LOCK	AccuLock R
401-6-62	HD - 5/8" bore, 1/8" recess (copper)	Slip-on	1.062"	500	X	X
401-5-62	HD - 5/8" bore, 1/4" recess (copper)	Slip-on	1.062"	500	X	X
601-5-62	HD - 5/8" bore, 1/4" recess (copper)	Thread-on	1.225"	600	X	X
601-6-62	HD - 5/8" bore, 1/8" recess (copper)	Thread-on	1.225"	600	X	X
601-5-75	HD - 3/4" bore, 1/4" recess (copper)	Thread-on	1.225"	600	X	X

Conventional Liners for Solid Wire

415-35-6 for 0.035" (0.9 mm) - 3/64" (1.2 mm) wire; 6' (1.8 m)
415-35-10 for 0.035" (0.9 mm) - 3/64" (1.2 mm) wire; 10' (3.05 m)
415-35-15 for 0.035" (0.9 mm) - 3/64" (1.2 mm) wire; 15' (5.0 m)
415-116-6 for 3/64" (1.2 mm) - 1/16" (1.6 mm) wire; 6' (1.8 m)
415-116-10 for 3/64" (1.2 mm) - 1/16" (1.6 mm) wire; 10' (3.05 m)

Consumables Options (Continued)

Conventional Liners for Aluminum *(Jump Liner required)*

415-45-01	for 0.035" (0.9 mm) - 3/64" (1.2 mm) wire; 6' (1.8 m) – aluminum
415-45-02	for 0.035" (0.9 mm) - 3/64" (1.2 mm) wire; 10' (3.05 m) – aluminum
415-45-03	for 0.035" (0.9 mm) - 3/64" (1.2 mm) wire; 15' (5.0 m) – aluminum
415-116-21	for 3/64" (1.2 mm) - 1/16" (1.6 mm) wire; 6' (1.8 m) – aluminum
415-116-22	for 3/64" (1.2 mm) - 1/16" (1.6 mm) wire; 10' (3.05 m) – aluminum
415-116-23	for 3/64" (1.2 mm) - 1/16" (1.6 mm) wire; 15' (5.0 m) – aluminum

Jump Liners *(required with liners for Aluminum)*

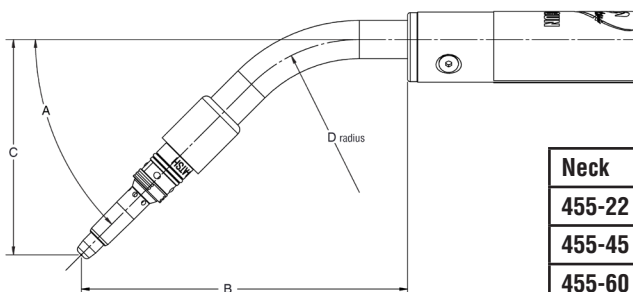
415-25	for 0.030" (0.8 mm) - 3/32" (2.4 mm) wire; Bronze; 8"
---------------	---

QUICK LOAD® Liners *(for 600 amp only)*

415-30-6Q	for 0.030" (0.8 mm) wire; 6' (1.8 m)
415-30-15Q	for 0.030" (0.8 mm) wire; 15' (5.0 m)
415-35-6Q	for 0.035" (0.9 mm) - 0.045" (1.2 mm) wire; 6' (1.8 m)
415-35-10Q	for 0.035" (0.9 mm) - 0.045" (1.2 mm) wire; 10' (3.05 m)
415-35-15Q	for 0.035" (0.9 mm) - 0.045" (1.2 mm) wire; 15' (5.0 m)
415-116-6Q	for 0.052" (1.3 mm) - 1/16" (1.6 mm) wire; 6' (1.8 m)
415-116-10Q	for 0.052" (1.3 mm) - 1/16" (1.6 mm) wire; 10' (3.05 m)
415-116-15Q	for 0.052" (1.3 mm) - 1/16" (1.6 mm) wire; 15' (5.0 m)
415-564-6Q	for 1/16" (1.6 mm) - 5/64" (2.0 mm) wire; 6' (1.8 m)
415-564-15Q	for 1/16" (1.6 mm) - 5/64" (2.0 mm) wire; 15' (5.0 m)
415-332-6Q	for 0.078" (2.0 mm) - 3/32" (2.4 mm) wire; 6' (1.8 m) (requires 415-24 retainer)
415-332-15Q	for 0.078" (2.0 mm) - 3/32" (2.4 mm) wire; 15' (5.0 m) (requires 415-24 retainer)
415-26	Liner Retainer, for 0.030" (0.8 mm) - 5/64" (2.0 mm) wire
415-24	Liner Retainer, for 0.078" (2.0 mm) - 3/32" (2.4 mm) wire

Components

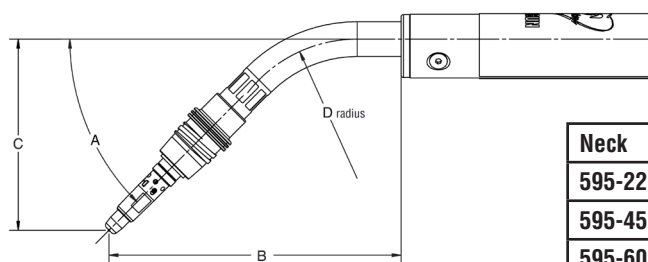
500 amp Water-Cooled Necks



	A	B		C		D	
Neck	Angle	inches	mm	inches	mm	inches	mm
455-22	22°	7.6	192.6	2.4	62.1	3.00	76.2
455-45	45°	6.4	163.1	4.2	107.4	3.00	76.2
455-60	60°	6.0	152.4	5.8	147.1	3.00	76.2
455-180	180°	8.0	204.2	0	0	N/A	N/A

Components (Continued)

600 amp Water-Cooled Necks



	A	B		C		D	
Neck	Angle	inches	mm	inches	mm	inches	mm
595-22	22°	7.4	189.0	2.4	60.6	3.00	76.2
595-45	45°	6.3	160.2	4.1	104.6	3.00	76.2
595-60	60°	5.9	151.1	5.7	143.5	3.00	76.2
595-180	180°	7.9	200.4	0	0	N/A	N/A

Power Cable (cable only)

For 500 & 600 amp

659-3.5	3.5' (1.06 m)	659-7.5	7.5' (2.3 m)
659-4	4' (1.2 m)	659-8	8' (2.4 m)
659-4.5	4.5' (1.4 m)	659-10	10' (3.06 m)
659-5	5' (1.5 m)	659-12	12' (3.66 m)
659-6	6' (1.8 m)	659-15	15' (4.6 m)
659-7	7' (2.1 m)		

Power Cable Bundles (includes all lines and outer jacket)

For 500 & 600 amp

661-3.5	3.5' (1.06 m)	661-7.5	7.5' (2.3 m)
661-4	4' (1.2 m)	661-8	8' (2.4 m)
661-4.5	4.5' (1.4 m)	661-10	10' (3.06 m)
661-5	5' (1.5 m)	661-12	12' (3.66 m)
661-6	6' (1.8 m)	661-15	15' (4.6 m)
661-7	7' (2.1 m)		

Power Pins

Power Pins

214-1	Miller®	214	Tweco® #4
214-17	Fronius®	214-12	Tweco #5
214-7	Lincoln®	675-10	Euro

Accessories

TOUGH GARD Anti-Spatter Liquid



This ready-to-use water-soluble, non-toxic product creates a sacrificial surface that reduces spatter adhesion. This prolongs the life of your consumables and minimizes downtime due to nozzle cleaning which can help reduce your operating and maintenance costs.

TOUGH GARD Anti-Spatter Liquid

TG-101-05	5.28 U.S. Gallon / 20 L
TG-101-55	55 U.S. Gallon / 208 L
TG-101-01	1 U.S. Gallon / 3.78 L
TG-101-32SP	32 fl. oz. / 946 mL (spray bottle)
TG-101-14S	16.9 fl. oz. / 500 mL

Ordering Information

Water-Cooled Automatic Series			Gun Style	Neck	Option #1	Gas Diffuser & Contact Tip	Power Cable Length	Nozzle	Option #2 (Liner)	Wire Size	Power Pin
M	W	1	5	A	0	1	A	B	0	C	M
			5 500 amp	<i>Water-Cooled</i>		0 No consumables	A 3.5'	0 No consumables	Z No Liner	0 No consumables	E Euro
			6 600 amp	<i>500 amp</i>		<i>500 amp</i>	C 4'	<i>500 amp</i>	0 Conventional	C 0.035"	F Fronius®
			A 22 degrees 455-22		1 TOUGH LOCK® (slip-on)	D 4.5'	A 401-6-62		1** QUICK LOAD™	D 0.039"	L Lincoln®
			B 45 degrees 455-45		5 AccuLock™ (slip-on)	E 5'	B 401-5-62			E 0.045"	M Miller®
			C 60 degrees 455-60		<i>600 amp</i>	G 6'	<i>600 amp</i>			F* 3/64"	T Tweco® #4
			D 180 degrees 455-180		1 TOUGH LOCK® (thread-on)	J 7'	C 601-5-62			G 0.052"	W Tweco #5
			<i>600 amp</i>		5 AccuLock™ (thread-on)	K 7.5'	D 601-6-62			J 1/16"	
			E 22 degrees 595-22			L 8'	E 601-5-75			L** 5/64"	
			F 45 degrees 595-45			R 10'				M** 3/32"	
			G 60 degrees 595-60			S 12'				<i>Aluminum</i>	
			H 180 degrees 595-180			T 15'				S*** 3/64"	
										T** 1/16"	
										U** 0.045"	

** QUICK LOAD™ liners are only available for 600 amp MIG guns

* Available for TOUGH LOCK® consumables only

** Not available for QUICK LOAD liners

*** Available for TOUGH LOCK® consumables only and not available for QUICK LOAD liners

Brand and product names shown above are trademarks of their respective owners.

Tregaskiss®, AccuLock™, TOUGH LOCK®, QUICK LOAD® and AutoLength™ are trademarks of Tregaskiss, a division of ITW Canada Inc.

Subject to Change – The information presented in this spec sheet is accurate to the best of our knowledge at the time of printing. Please visit Tregaskiss.com for the most up-to-date information.

Distributed By:

