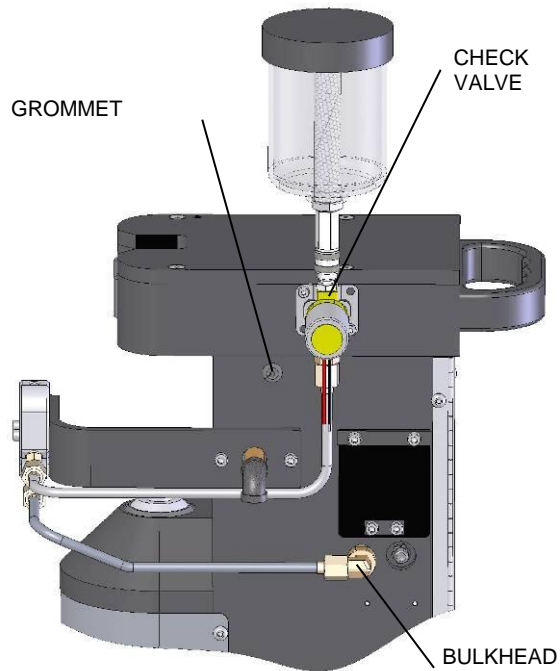


How to Mount the SR-500 Sprayer to the TOUGH GUN™ Reamer



The TOUGH GUN Reamer has all the necessary mounting holes for installation of the SR-500 spray unit.

- Remove plug from side of frame detail and replace with bulkhead fitting (supplied).
- Attach spray head bracket to Reamer using two (2) screws (supplied).
- Attach spray head to reamer using two (2) screws (supplied).
- Pass wires through grommet and then through the specified hole in reamer frame.
- Plug reservoir into check valve using quick connect fittings.